

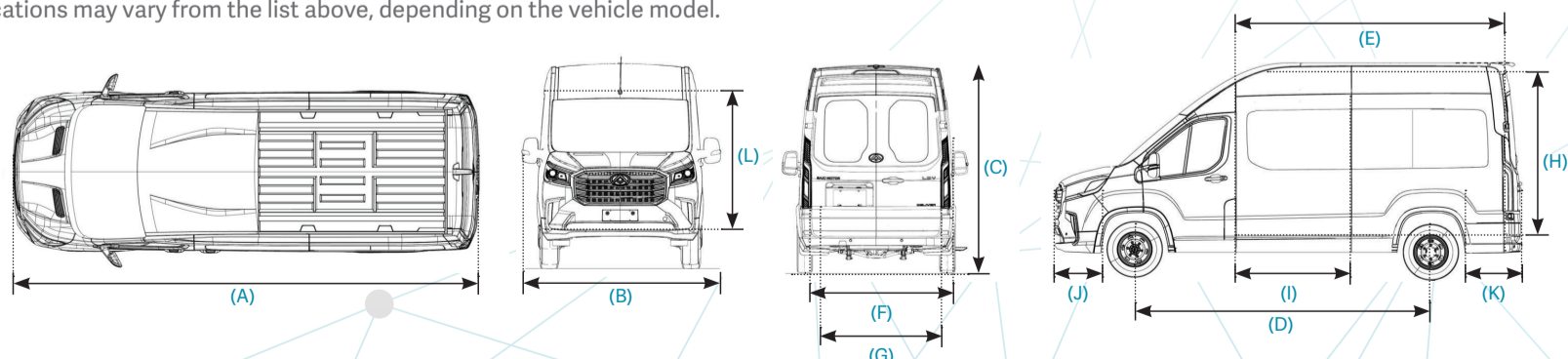


BP Rolls Maxus Ltd. Authorised Dealer for Maxus through the Harris Group.

26 | Hopkinson Way | West Portwat Industrial Estate | Andover | Hampshire SP10 3LF. Tel: 0330 320 2058 www.bprollsmaxus.co.uk

MAXUS eDELIVER 9	MH		LH		LH	MC CAB	LC CAB
	Capacity (kWh) 51.5kWh	Capacity (kWh) 72kWh	Capacity (kWh) 51.5kWh	Capacity (kWh) 72kWh	Capacity (kWh) 88.55kWh	Capacity (kWh) 65kWh	Capacity (kWh) 65kWh
WEIGHTS							
GVM (kg)	3500	3500	3500	3500	3500	3500	3500
Kerb Weight (excluding driver)	2300	2460	2340	2520	2640	2080	2090
Max front axle load (kg)	1950	1950	1950	1950	1950	1950	1950
Max rear axle load (kg)	1900	1900	1900	1900	1900	1900	1900
Payload (kg) * excluding body	1200	1040	1160	980	860	*1420	*1410
Towing capacity (unbraked) (kg)	1500 (750)	1500 (750)	1500 (750)	1500 (750)	1500 (750)	1200 (750)	1200 (750)
ENGINE							
Drive Type	RHD/LHD	RHD/LHD	RHD/LHD	RHD/LHD	RHD/LHD	RHD/LHD	RHD/LHD
Number of seats	3	3	3	3	3	3	3
Rated power/peak power (kW)	70/150	70/150	70/150	70/150	70/150	70/150	70/150
Rated torque/Max. torque (N.m)	160/310	160/310	160/310	160/310	160/310	160/310	160/310
Max speed (km/h)	100	100	100	100	100	100	100
Acceleration 0-50km/h (sec)	5.7	5.7	5.7	5.7	5.7	7	7
DIMENSION							
Dimension :L *W *H (mm) (A,B, C)	5546*2062*2525	5546*2062*2525	5940*2062*2525	5940*2062*2525	5940*2062*2525	6200*2052*2290	6680*2052*2290
Wheel base (mm) (D)	3366	3366	3760	3760	3760	3760	4048
Length cargo space (mm)(E)	3019	3019	3413	3413	3413	-	-
Max width cargo space (mm) (F)	1800	1800	1800	1800	1800	-	-
Max width cargo space between wheel arches (mm) (G)	1366	1366	1366	1366	1366	-	-
Max height cargo space (mm) (H)	1792	1792	1792	1792	1792	-	-
Slide door width (mm) (I)	1269	1269	1269	1269	1269	-	-
Overhang Front (J) / Rear (k)	1020/ 1160	1020/ 1160	1020/ 1160	1020/ 1160	1020/ 1160	1020/ 1420	1020/ 1612
Slide door height (mm) (L)	1570	1570	1570	1570	1570	-	-
Turning radius (m)	6.7	6.7	7.4	7.4	7.4	7.4	7.9
Cargo volume (m ³)	9.7	9.7	11.0	11.0	11.0	-	-
CHARGING							
Charging time (AC 100%) h/POWER (7.4kW)	7	10	7	10	12	9	9
Charging time (DC 80%) min	40	40	40	40	45	36	36
Battery capacity (kWh)	51.5	72	51.5	72	88.55	65	65
energy consumption WLTP combined (kWh/100km)	29.44	31.06	29.44	31.06	31.03	-	-
RANGE							
WLTP city Miles / (kms)	147 (237)	179 (288)	147 (237)	179 (288)	219 (353)	-	-
WLTP Combined Miles / (kms)	112 (180)	146 (235)	112 (180)	146 (235)	185 (296)	-	-

Standard specifications may vary from the list above, depending on the vehicle model.



- Bluetooth
- Cruise Control
- Air Conditioning
- MP3 Player
- Daytime Running Lights
- Multi-function Steering Wheel
- Android Auto
- Apple Car Play
- ABS
- BAS
- ESP
- EBD
- SIPS
- Driver and Passenger Airbags
- Reverse Parking Sensors
- Phone Mirror